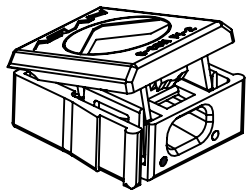


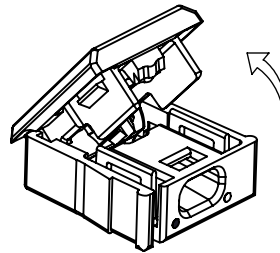
INTRODUCTION: For use with 15A, 2 mm² [14 AWG], and 20A, 3 mm² [12 AWG] solid-copper-conductors, 300 Vac maximum branch circuits, and 105°C [221°F] maximum operating temperature. The Devices are ETL Listed to UL U.S. and Canadian safety standards.

Recommended use with the following brands of Romex® cable: Southwire, Cerro, Essex, Encore, Senator and Superior. NOT compatible with Colonial brands.

**Warning: BEFORE ASSEMBLY- DISCONNECT POWER!
DO NOT ASSEMBLE PARTS WITH CIRCUIT ENERGIZED**



SnapPhase: connector shown in shipping position. Can be used with most brands of NMB cable. Test fit cable into connector base.



Step 1

Fully open connector to accept cable (Romex®)*. Make certain connector color matches cable color.

White = 14 AWG

Yellow = 12 AWG

*Romex is a registered trademark of Southwire Company.



No

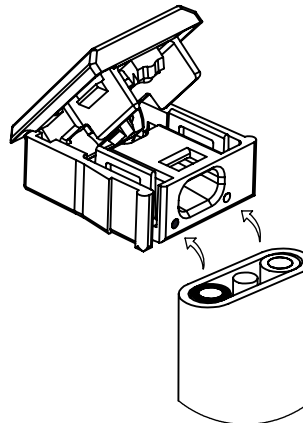
No

Yes

Do not connect power during this step. The circuit shall not be energized during any step of installation or assembly.

Step 2

Starting with a cleanly square cut cable, identify the location of the black wire.

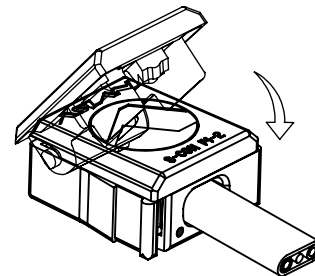
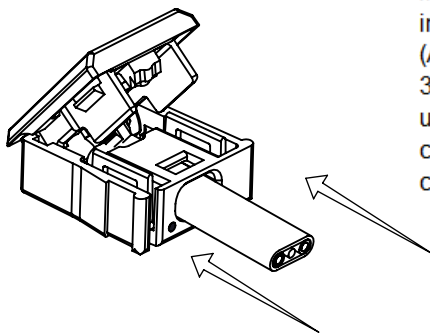


Step 3

Looking closely, match the interior black wire with black dot at opening of connector. (White wire with white dot) Make certain this step is correct. Connector can not be re-opened. Incorrect wire alignment will result in failure of the connector.

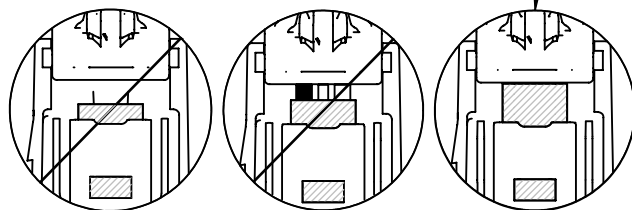
Step 4

Insert cable end into connector base (Approximately 3/4"). Insert wire until it makes contact with connector hinge.



Step 5

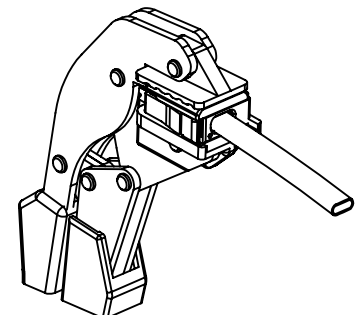
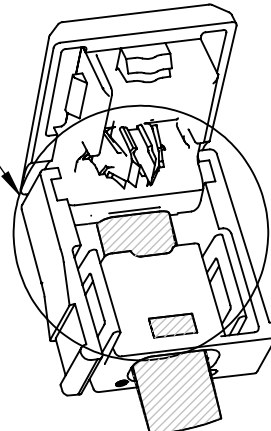
To close connector, use SnapPhase™ closing tool. If copper conductor is visible through bottom of connector, replace connector.



NO

NO

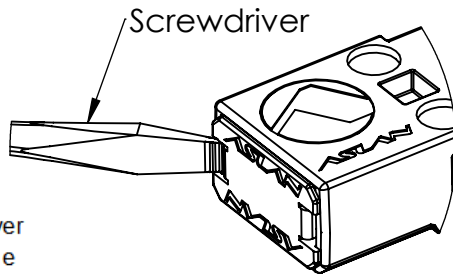
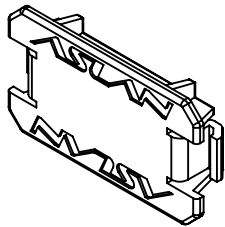
YES



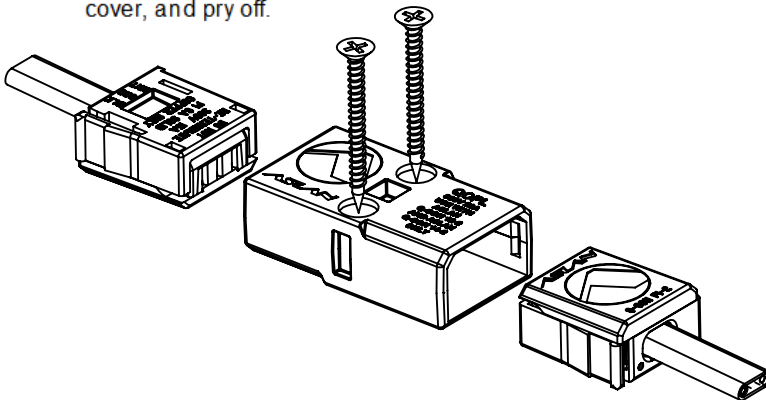
INTRODUCTION: For use with 15A, 2 mm² [14 AWG], and 20A, 3 mm² [12 AWG] solid-copper-conductors, 300 Vac maximum branch circuits, and 105°C [221°F] maximum operating temperature. The Devices are ETL Listed to UL U.S. and Canadian safety standards.

Recommended use with the following brands of Romex® cable: Southwire, Cerro, Essex, Encore, Senator and Superior. NOT compatible with Colonial brands.

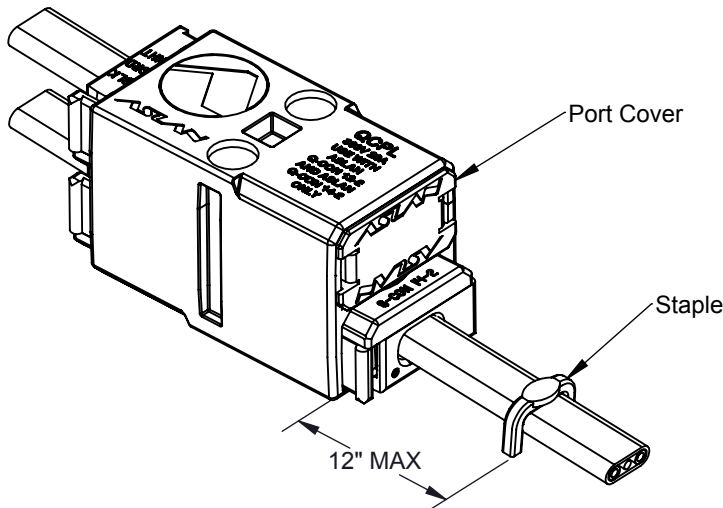
**Warning: BEFORE ASSEMBLY- DISCONNECT POWER!
DO NOT ASSEMBLE PARTS WITH CIRCUIT ENERGIZED**



With power off, remove port cover by inserting screwdriver into one of the two slots on side of port cover, and pry off.



Remove desired number of port covers. **DO NOT remove** port covers from ports that will not be used. **DO NOT energize** assembly with open ports, **all ports must be filled** with either a connector or port cover.



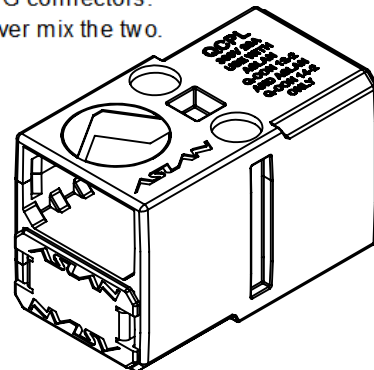
Staple all wires within 12" of device.

Coupler (Splice)

Insert connectors into coupler according to the matching keyed sides. Be sure connectors have 'snapped' firmly into place. SnapPhase™ coupler may be used with SnapPhase™ 12 AWG or 14 AWG connectors.

To remove connectors from coupler, simply compress side tab and pull straight out.

Use like cables and like connectors with coupler; 2 white/14 AWG or 2 yellow/12 AWG connectors. Never mix the two.



QJB Junction Box

Insert connectors into junction box according to the matching keyed sides. Be sure connectors have 'snapped' firmly into place. SnapPhase™ Junction box may be used with SnapPhase™ 12 AWG or 14 AWG connectors.

To remove connectors from junction box, simply compress side tab and pull straight out.

BEFORE INSERTING OR REMOVING CONNECTORS OR PORT COVERS, DISCONNECT POWER!